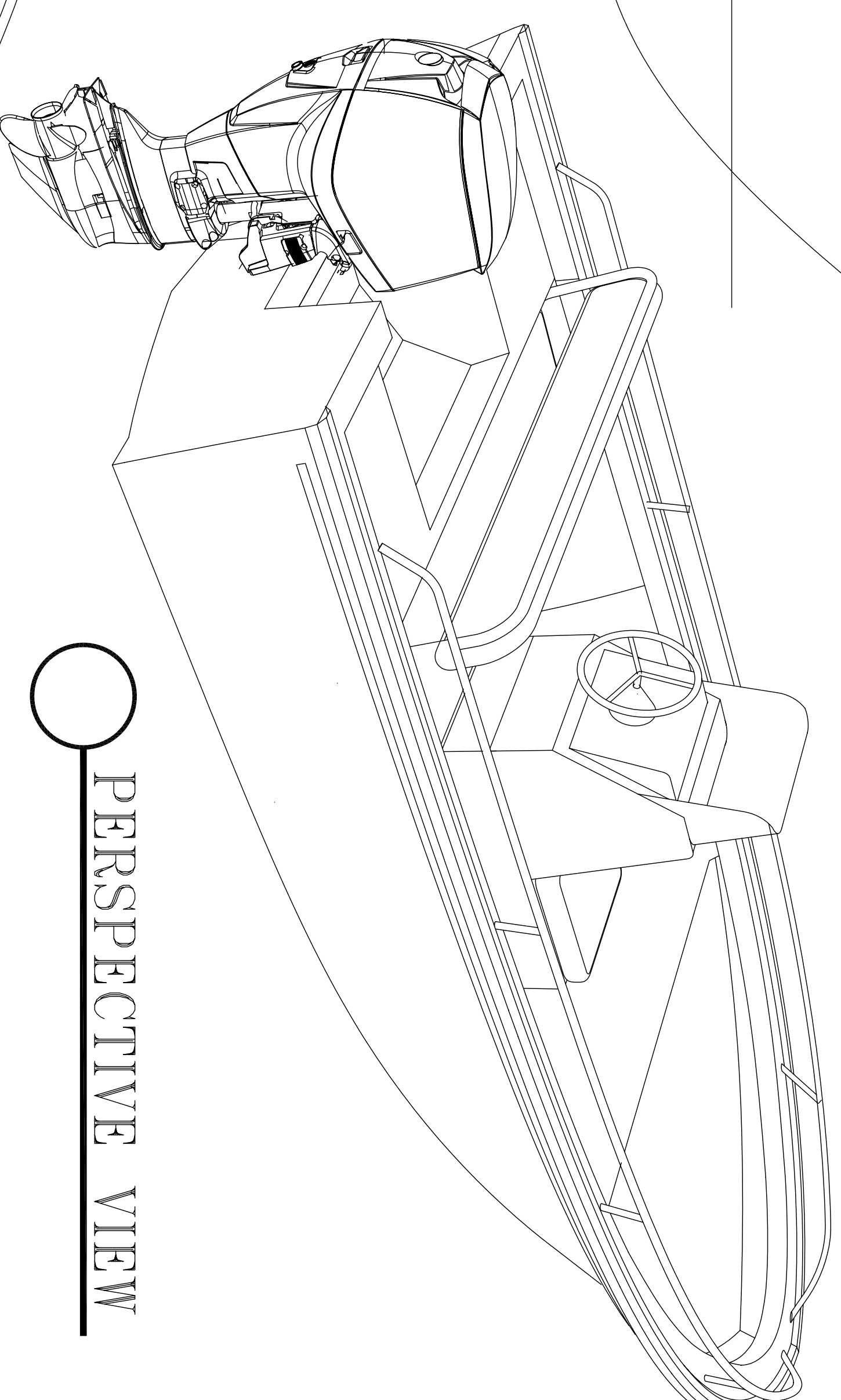


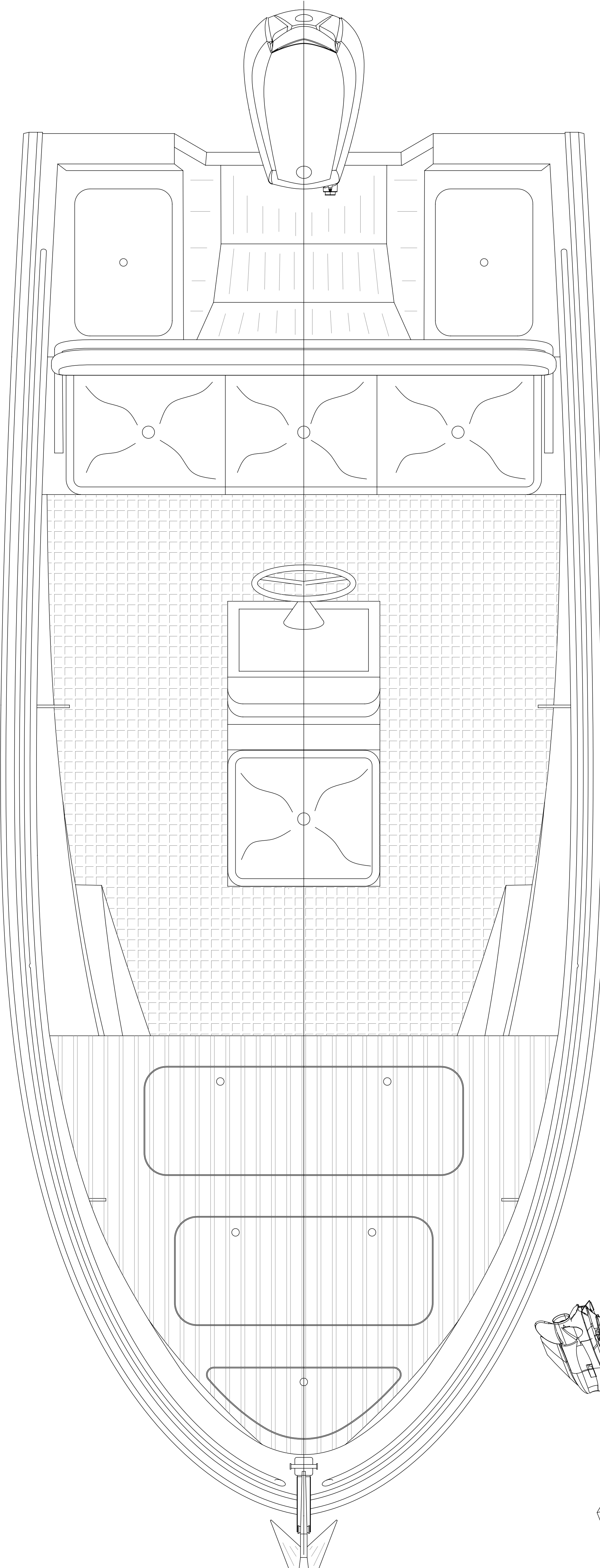
○ PROFILE VIEW

# THE RIPTIDE 457

© COPYRIGHT 2010 – BOWDIDGE MARINE DESIGNS



○ PERSPECTIVE VIEW



○ PLAN VIEW

GENERAL NOTES

NA	
REFERENCES	
LTR	OWG.NO
	PTITLE

**Bowdidge Marine Designs**  
 1252 Moorlands Rd  
 Moorland, Qld. 4678  
 Australia  
 Ph: (07) 4156 1708  
[www.bowdidge@katherine-designs.com.au](http://www.bowdidge@katherine-designs.com.au)

**- Profile & Plan view -**

Sheet 1

The RipTide 457

L.O.A.:	15 ft	O.W.L.:	12 ft - 11 in
Beam:	6 ft - 6 in	Draft:	0 ft - 11 in
Eng No.	0046-02-01	Designed by	Mark Bowdidge (MRDNY)
Date:	31/Aug/2010	Drawn by:	Mark Bowdidge (MRDNY)
Scale:	1-1/2" = 1 ft	Plan No:	1

This drawing is the property of Bowdidge Marine Designs and is not to be used or reproduced in whole or in part, without written permission. © Copyright 2010